

DSP6035

30W Commercial Weather-Resistant Surface Mount Speaker



Description

This outdoor waterproof wall-mounted speaker features an IP66 waterproof rating. It includes both tweeter and woofer units, delivering clear and bright sound. The enclosure is made of polymer engineering plastics, and the grille is constructed from aluminum, ensuring stable and reliable operation in both indoor and outdoor environments.

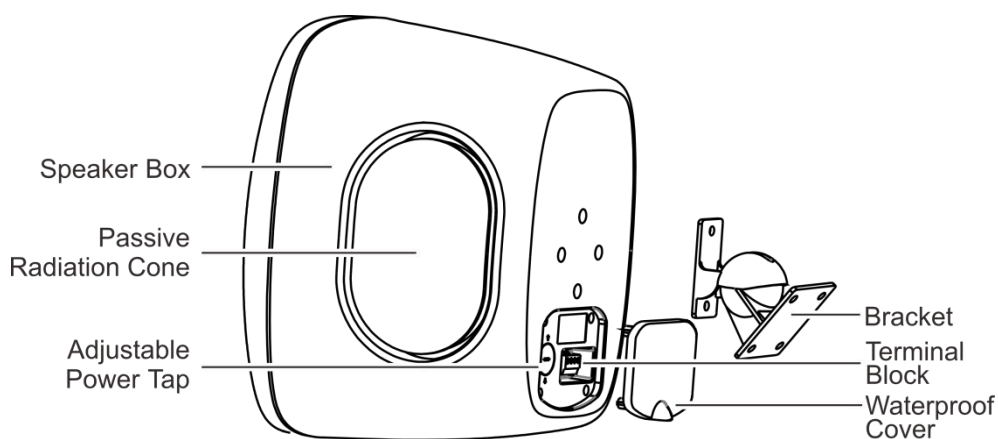
Features

- Sound quality: Engineered for exceptional audio with a passive radiator plus tweeter and woofer units, delivering clear, transparent, bright sound and rich, powerful bass.
- Design: Streamlined shape with smooth, elegant curves for a stylish, premium appearance.
- Color options: Available in black and white to complement various venue decors.
- Grille: Made of 1060 pure aluminum with hardening and anti-oxidation treatment — resists deformation and never rusts.
- Enclosure: Constructed from polymer engineering plastics — durable, safe, and reliable.
- Driver components: Tweeter diaphragm uses natural silk membrane; woofer diaphragm features polypropylene with a large magnetic circuit.
- Mounting bracket: Cast aluminum construction — no oxidation or rust, safe and durable, with multi-angle adjustment for easy installation and use.
- Waterproof rating: IP66 all-weather design ensures reliable performance in both indoor and outdoor environments.

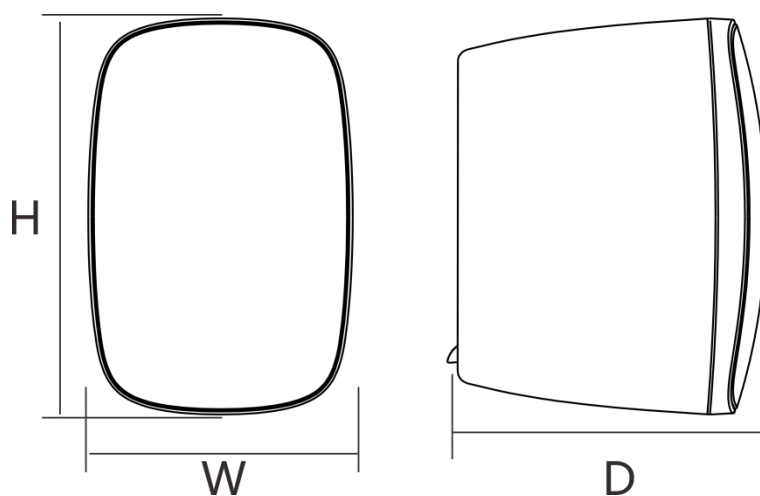
Specifications

Model	DSP6035
Speaker Unit	5.25"×1, 1"×1
Operating Voltage	100V
Rated Power	30W
Power Adjustment	8Ω-30W-15W-8W-5W-2.5W
Frequency Response	70Hz-20kHz
Sensitivity (1m, 1W)	86dB±2dB
MAX. SPL. (1m)	101dB±2dB
Dimensions (H×W×D)	275×185×208mm
Net Weight (1PC)	3.8kg
Gross Weight (2PCS/CTN)	10.5kg

Product Information

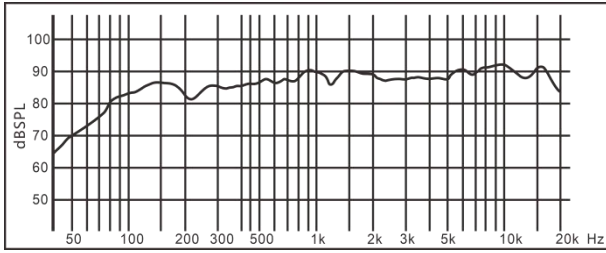


Product Breakdown Structure



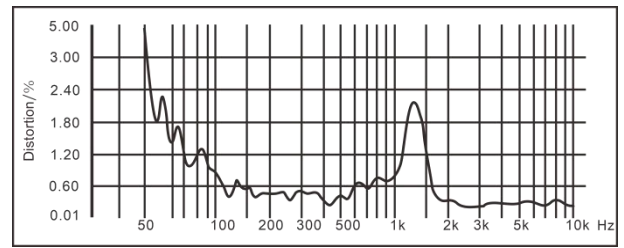
H	W	D
275	185	208

Frequency Response
(dB SPL, 1W, 1m)

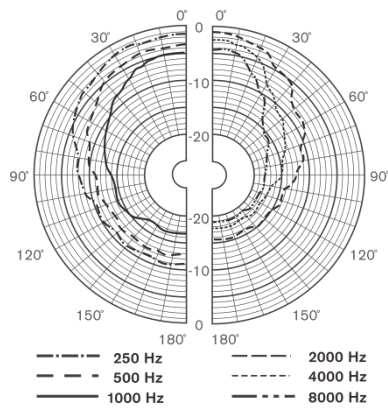


Distortion

(THD < 3% 1W, 1m, 100Hz-10kHz)



Vertical Directivity Pattern



Horizontal Directivity Pattern

